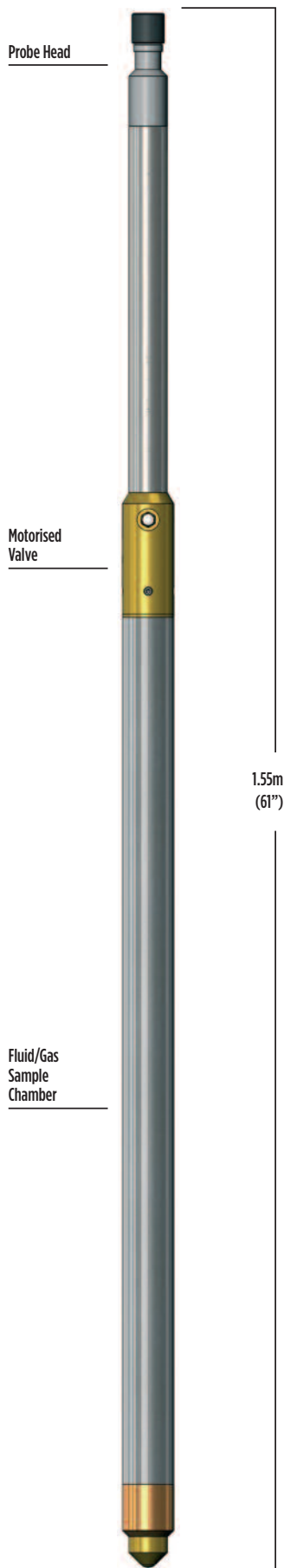


Fluid/Gas Sampler



Fluid/Gas Sampler Probe

Fluid and Gas Sampler probes are used to take a discrete sample of well fluid at a particular depth and to return it uncontaminated to the surface.

Principle of Measurement:

Fluid Sampler: The Fluid Sampler includes a chamber incorporating motor-actuated valves at the top and base. While the probe is being lowered into the borehole, the valves are held open, allowing well fluid to flow freely through the chamber. At the desired depth, the motor is activated under surface control, closing the valves to seal the chamber and contents ready for retrieval.

Gas Sampler: The Gas Sampler is designed to retrieve uncontaminated samples of well fluids comprising or containing gas whilst maintaining the original well pressure. The probes contain a sealed sample chamber with a moveable piston and motor-actuated valve. Prior to logging, the piston is withdrawn manually and locked into position, leaving a partial vacuum within the sample chamber. For sampling, the valve is opened under surface control, allowing the well fluid to enter the chamber. The valve is then closed, enclosing the sample under ambient pressure. At the surface, the fluid can be transferred while still under pressure to a suitable container for analysis.

SPECIFICATION:

Features

- Simple, motor-operated actuation
- Fluid sample chamber easily cleaned
- Fluid/gas sample retained at borehole pressure

Applications

- Fluid**
- Sampling well fluid at depth for surface analysis
- Groundwater and water well studies

Operating Conditions

- Borehole type: open/cased, water-filled
- Recommended Logging Speed: Static sampling

Specifications

Fluid Sampler

Volume: 0.25L	Diameter: 38mm	Length: 0.96m	Weight: 5kg
Volume: 0.5L	Diameter: 38mm	Length: 1.27m	Weight: 5kg
Volume: 1.0L	Diameter: 38mm	Length: 1.88m	Weight: 5kg
Volume: 1.25L	Diameter: 38mm	Length: 2.19m	Weight: 5kg
Temperature:	0-70°C (extended ranges available)		
Max. pressure:	20MPa		

Fluid/Gas Sampler

Volume: 0.5L	Diameter: 51mm	Length: 1.18m	Weight: 10kg
Volume: 1.0L	Diameter: 51mm	Length: 1.55m	Weight: 10kg
Volume: 2.0L	Diameter: 89mm	Length: 1.25m	Weight: 15kg
Temperature:	0-70°C (extended ranges available)		
Max. pressure:	20MPa		

Part Numbers

1002198	Fluid Sampler probe 1li
1002206	Fluid/Gas sampler probe 1li



Mechanical valve assembly where the sample is extracted